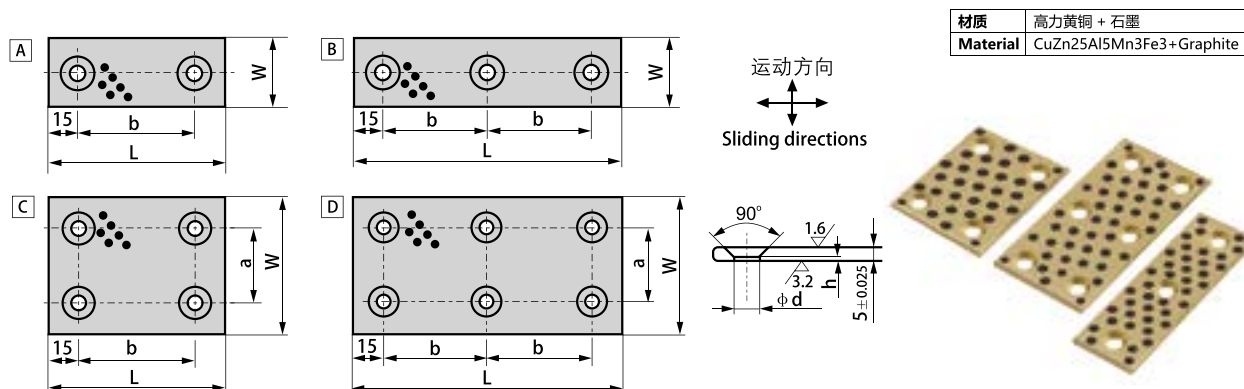


# JUWP 自润滑板

## OILLESS THIN WEAR PLATE



Unit(单位): mm

Standard No. 规格	W	d	h	L	a	b	Sketch 图示
JUWP-18 × 50	18	6.5	1.5	50	—	20	A
JUWP-18 × 75				75		45	
JUWP-18 × 100				100		70	
JUWP-18 × 150				150		60	
JUWP-28 × 50	28			50	—	20	A
JUWP-28 × 75				75		45	
JUWP-28 × 100				100		70	
JUWP-28 × 150				150		60	
JUWP-38 × 50	38			50	—	20	A
JUWP-38 × 75				75		45	
JUWP-38 × 100				100		70	
JUWP-38 × 150				150		60	
JUWP-48 × 75	48	10	0.8	75	—	45	A
JUWP-48 × 100				100		70	
JUWP-48 × 125				125		95	
JUWP-48 × 150				150		60	
JUWP-75 × 75	75			75	45	45	C
JUWP-75 × 100				100		70	
JUWP-75 × 125				125		95	
JUWP-75 × 150				150		60	
JUWP-100 × 100	100			100	70	70	C
JUWP-100 × 125				125		95	
JUWP-100 × 150				150		60	